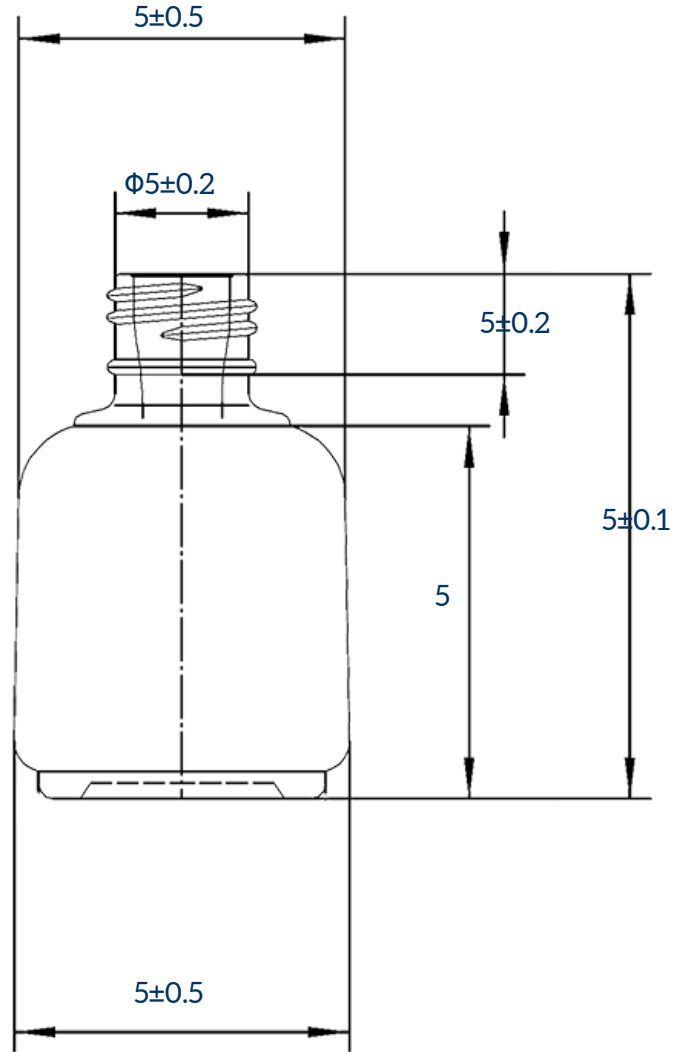


SQ001



PRODUCT INFO

Code	SQ001	
Volumn	69	(ml)
Scale	80	(Gram)
Height	58	(cm)
Width	91	(cm)